

<http://www.luxierusa.com/>

Installation Guide

Contemporary Tub and Shower Trim

Single Handle Tub and Shower Trim



Tools you will need:



Adjustable Wrench



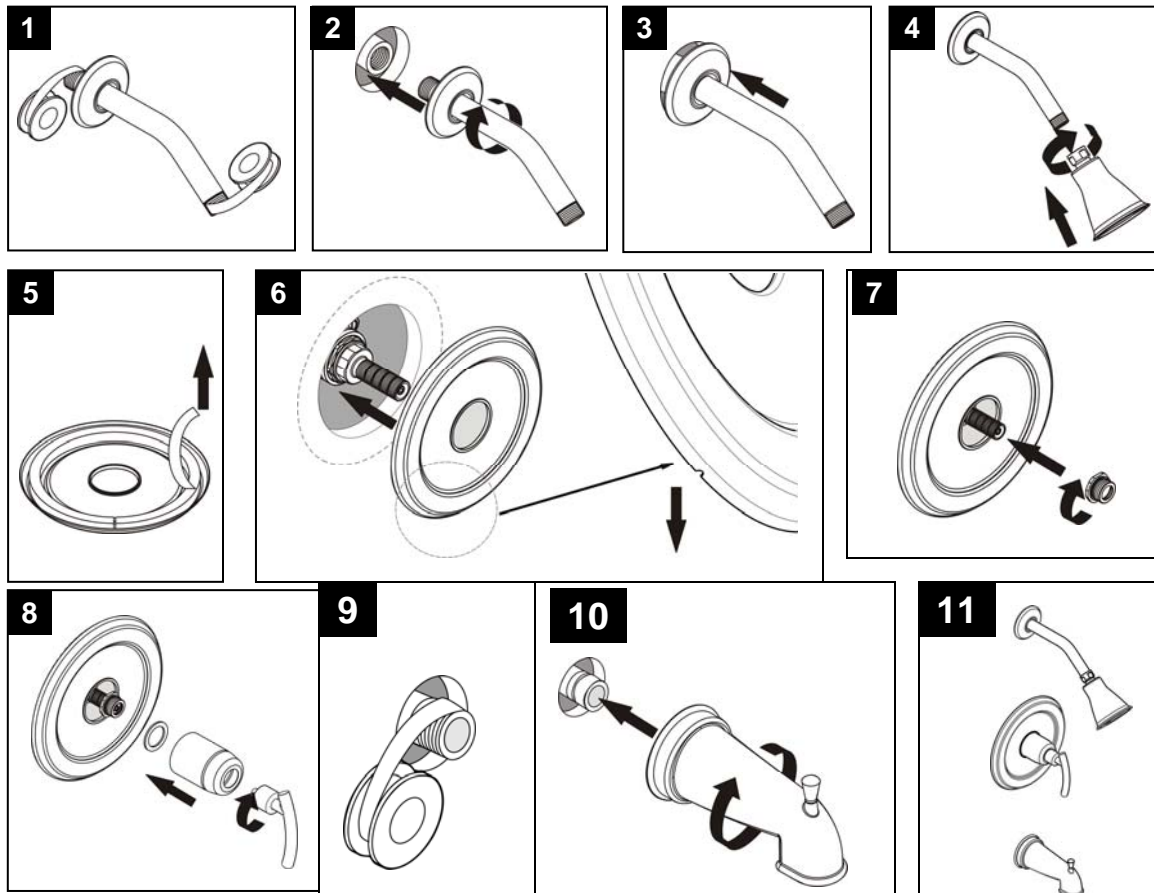
Pipe Tape



Groove join pliers

SAFETY TIPS:

- If you use soldering for the installation of the faucet, the seats, cartridges and washers will have to be removed before using flame. Otherwise, warranty will be void on those parts.
- Cover your drain to avoid losing parts.
- 32°F-131°F

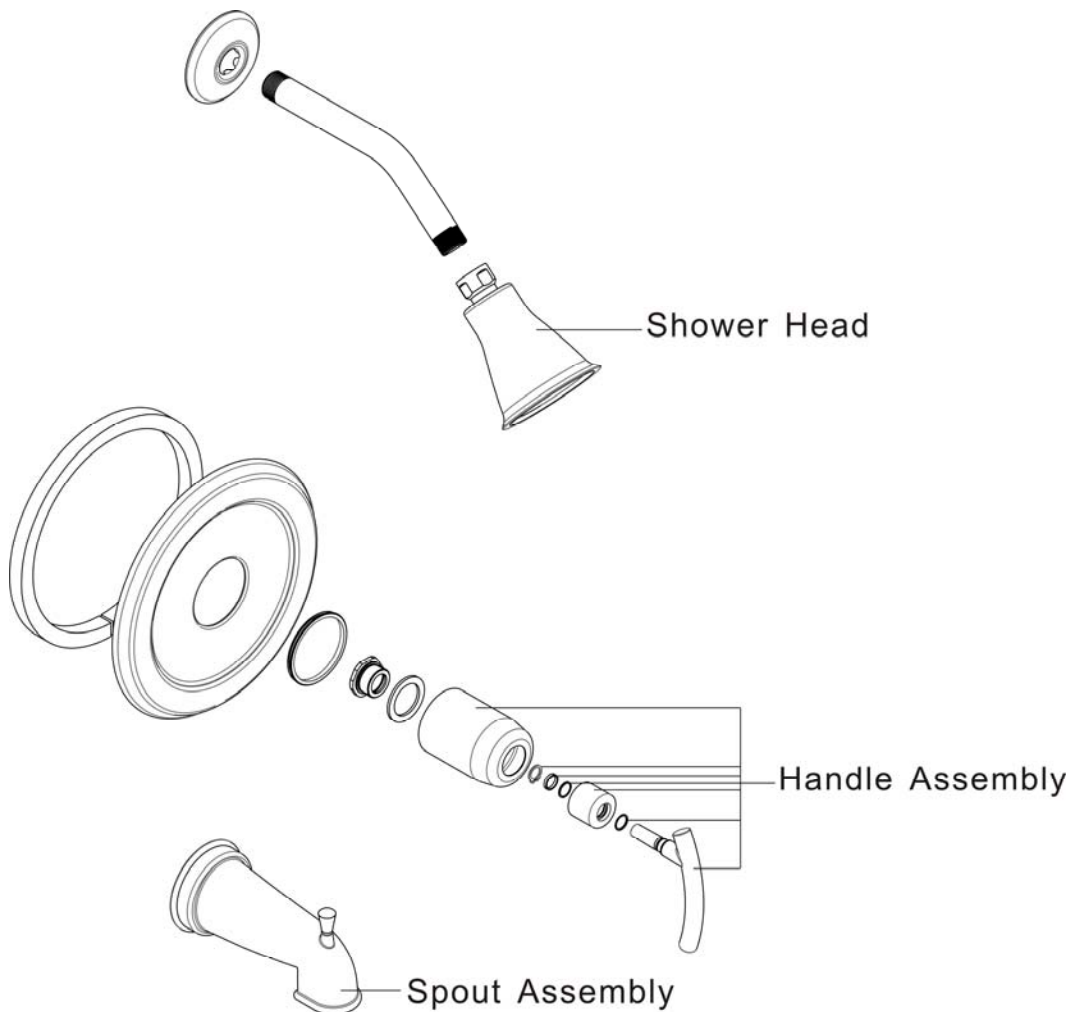


Trouble-Shooting

If you've followed the instructions carefully and your faucet still does not work properly, take these corrective steps.

<u>Problem</u>	<u>Cause</u>	<u>Action</u>
-Leaks underneath Shower Head.	-Retainer Shower Head has come loose. O-ring is dirty or damaged.	-Tighten the retainer nut. Clean or replace O-ring.

Replacement Parts



Limited Lifetime Warranty

Luxier USA warrants to the original purchaser that its products will be free from defects in workmanship and materials. This warranty does not cover any other labor or service charges associated with the removal, repair, or reinstallation of Luxier products. This express warranty does not apply to products that have been damaged as a result of misuse, abuse, negligence, accident, faulty installation or maintenance practices and/or used in any manner contrary to those recommended by the manufacturer.